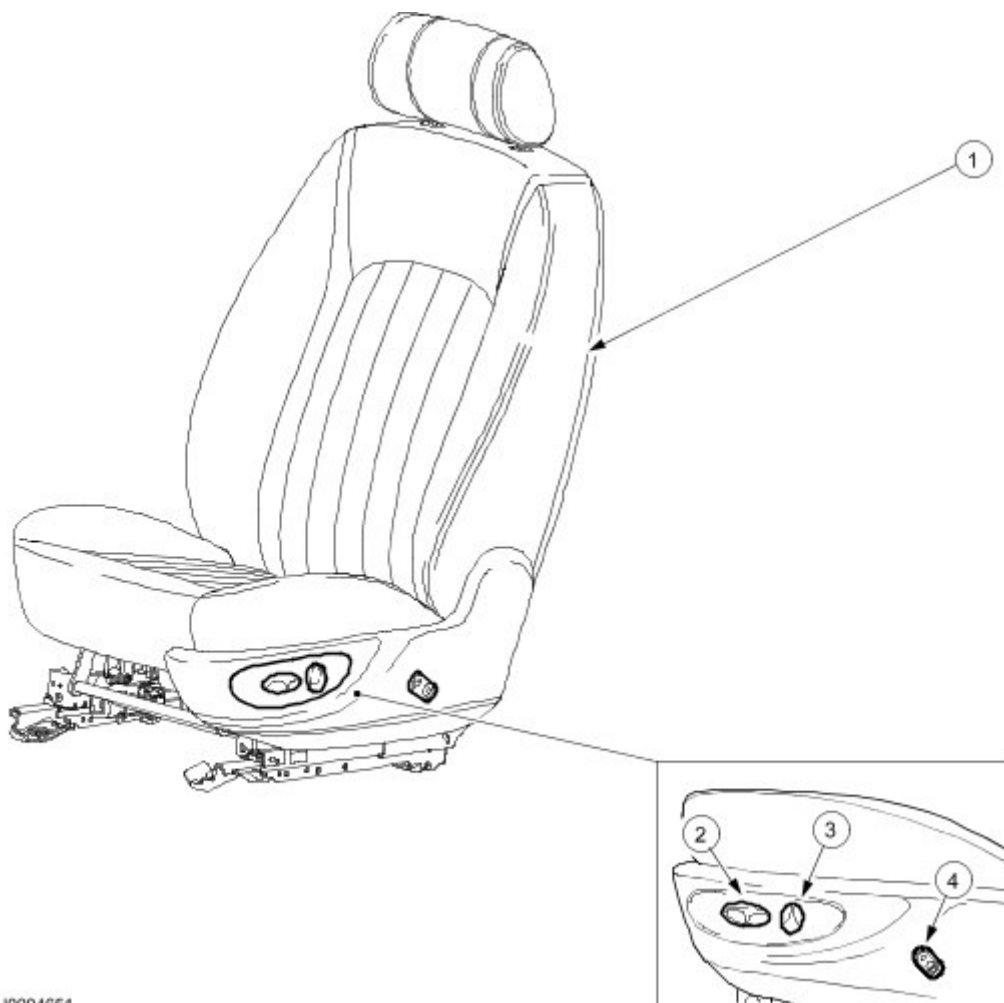


## Seats

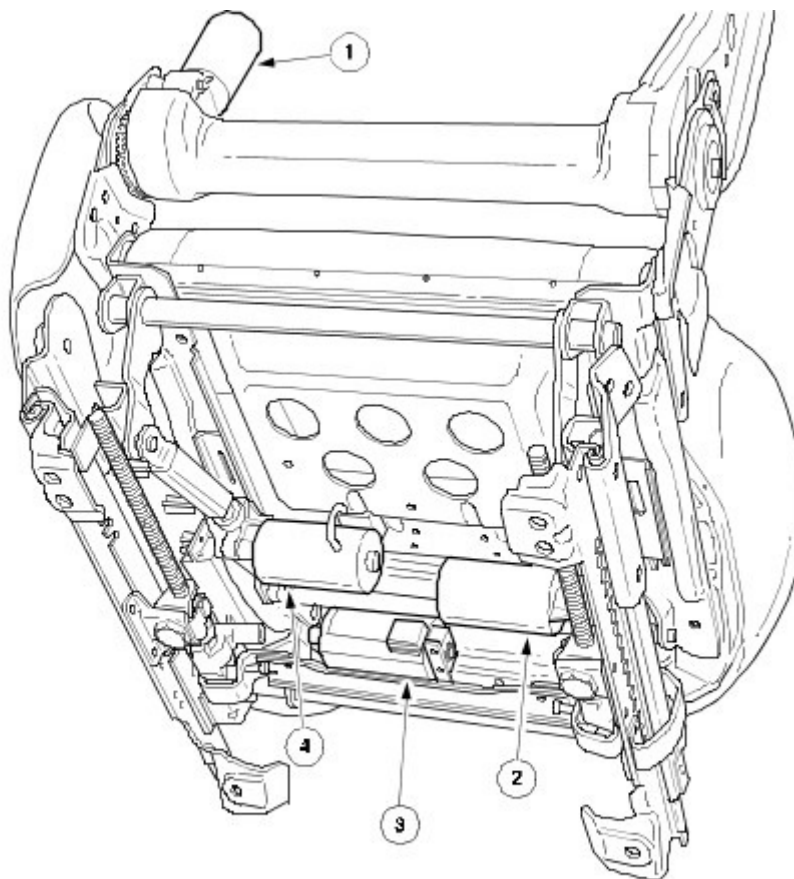
### Front Seat (high specification)



VUJ0004651

Item	Part Number	Description
1	—	Front seat
2	—	Front seat track and cushion front/rear height adjustment switch
3	—	Front seat backrest recliner switch
4	—	Front seat lumbar support switch

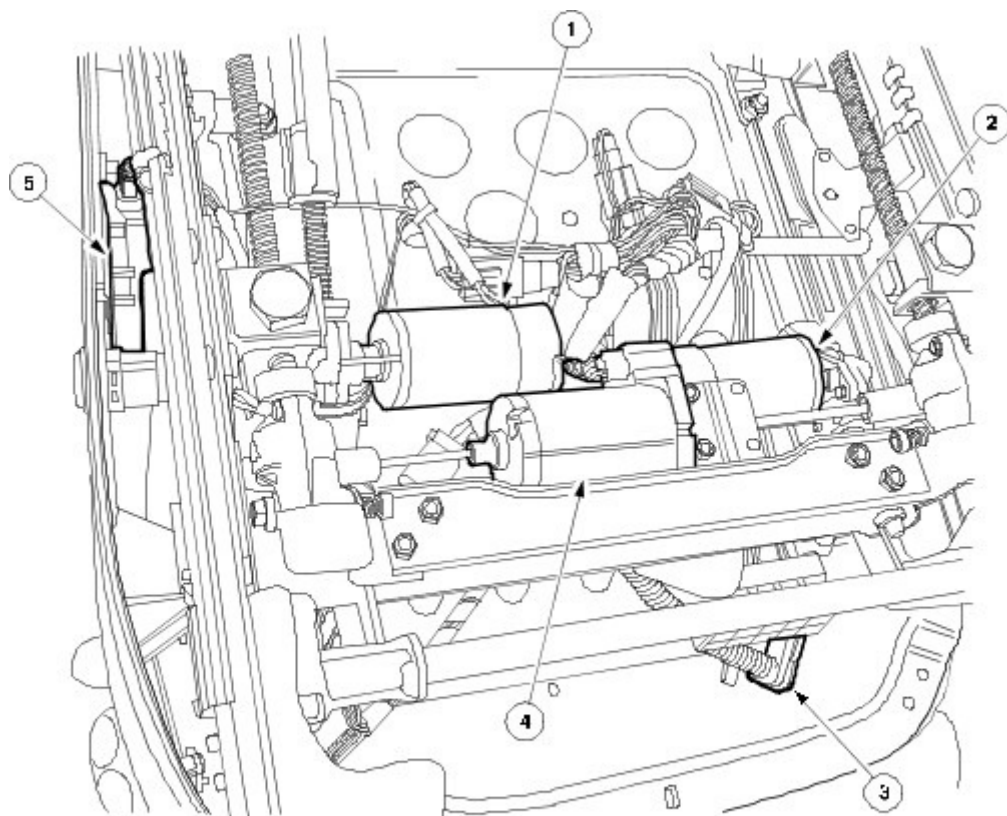
### Drivers Front Seat (high specification)



VUJ0004655

Item	Part Number	Description
1	—	Front seat backrest recliner motor
2	—	Front seat cushion front height adjustment motor
3	—	Front seat track motor
4	—	Front seat cushion rear height adjustment motor

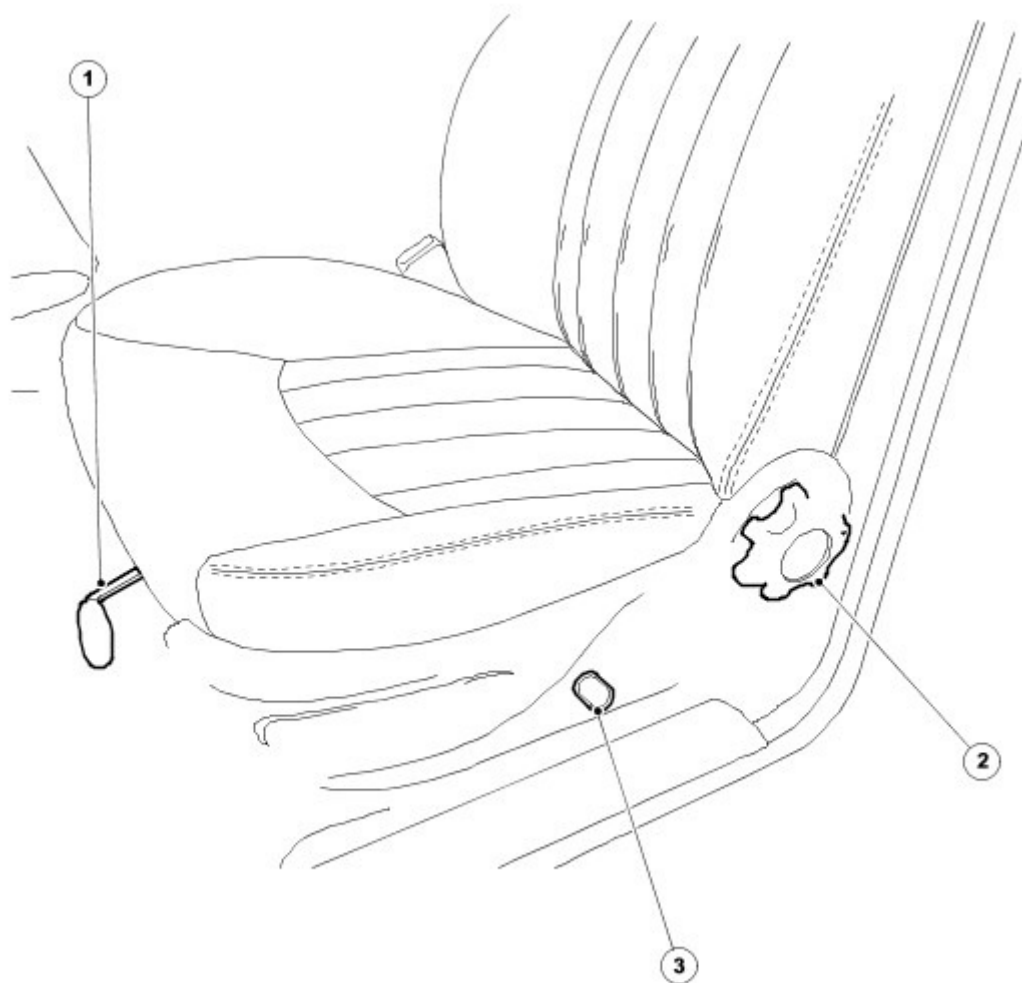
**Passengers Front Seat (high specification)**



VUJ0004657

Item	Part Number	Description
1	—	Front seat cushion rear height adjustment motor
2	—	Front seat cushion front height adjustment motor
3	—	Front seat weight sensing sensor (passenger side only)
4	—	Front seat track motor
5	—	Front seat weight sensing module (passenger side only)

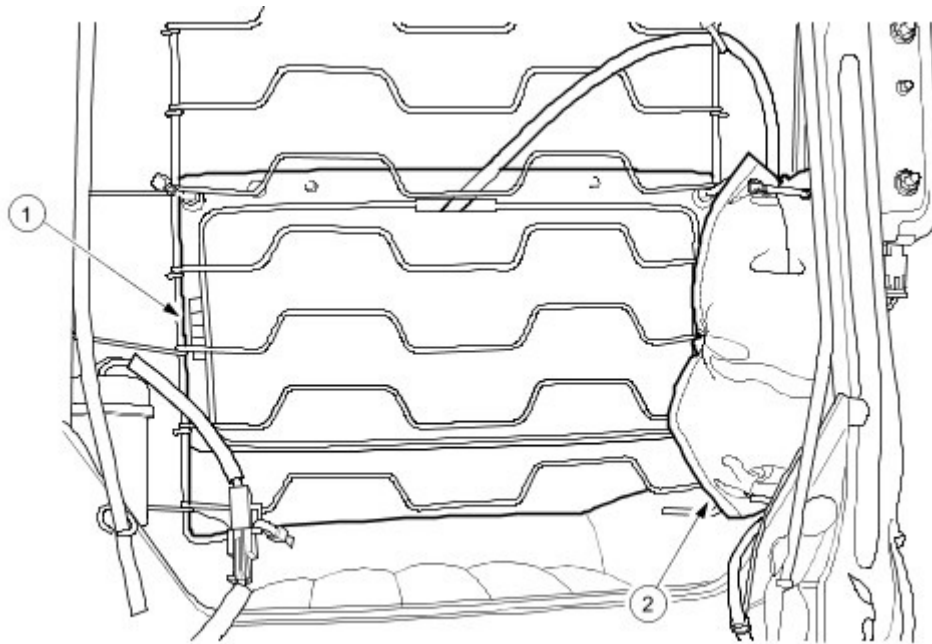
**Front Seat (low specification)**



VUJ0004650

Item	Part Number	Description
1	—	Front seat track adjustment locking bar
2	—	Front seat cushion height adjustment switch (Drivers side only)
3	—	Front seat backrest recliner hand wheel

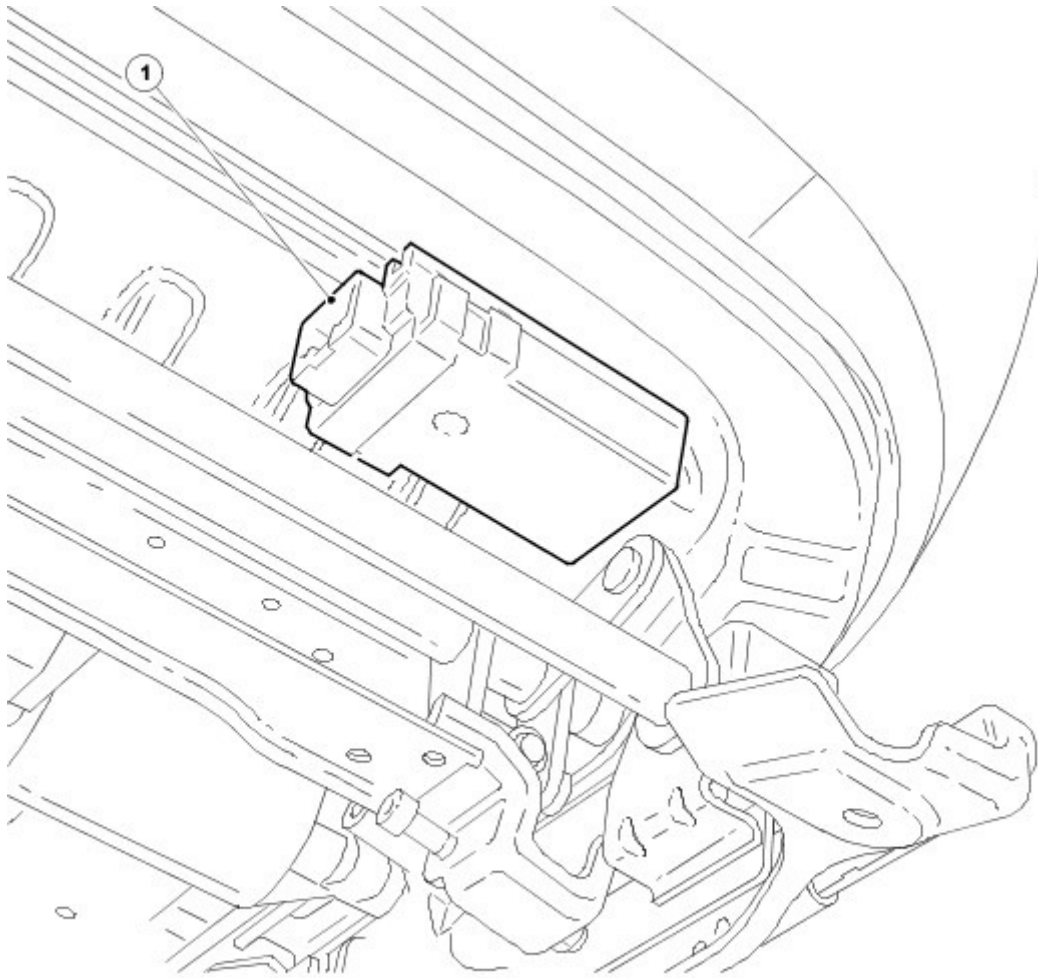
### Front Seat Lumbar Support



VUJ0004656

Item	Part Number	Description
1	—	Front seat lumbar support bag
2	—	Front seat lumbar motor

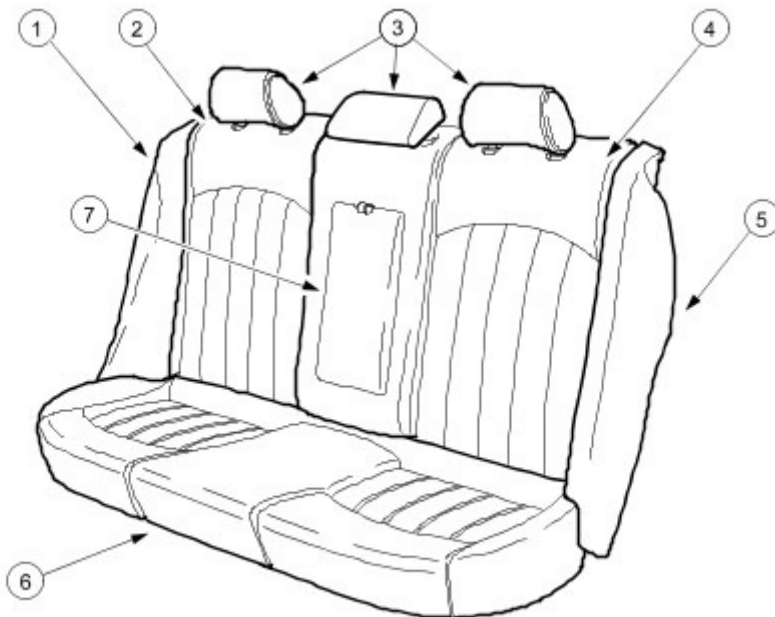
### Heated Seats



VUJ0004652

Item	Part Number	Description
1	—	Heated seat module (front seat)

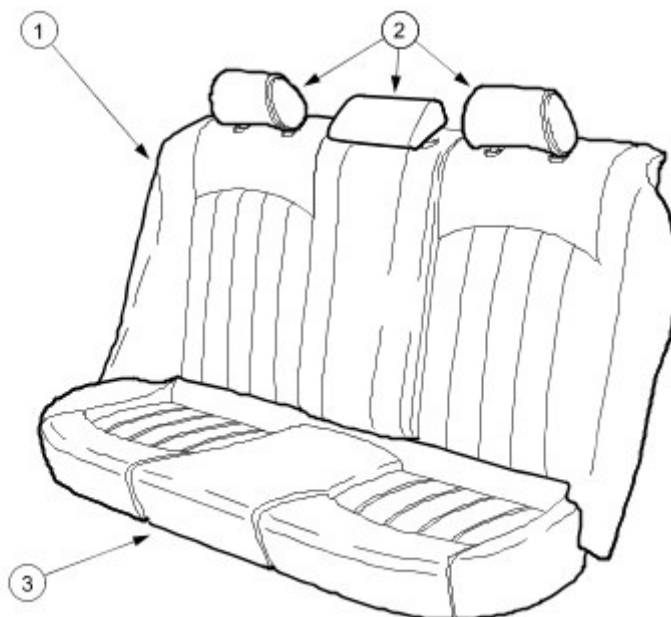
**Rear Seat (folding)**



VUJ0004653

Item	Part Number	Description
1	—	Rear seat backrest bolster - RH
2	—	Rear seat backrest (split seat type)
3	—	Rear seat head restraints (not available in the U.S.A)
4	—	Rear seat backrest (split seat type)
5	—	Rear seat backrest bolster - LH
6	—	Rear seat cushion
7	—	Rear seat center arm rest

### Rear Seat (fixed)



VUJ0004654

Item	Part Number	Description
1	—	Rear seat backrest
2	—	Rear seat head restraints
3	—	Rear seat cushion

### Seats

All front seats are fitted with the following features as standard:

- integral side air bags
- head restraints
- safety belt buckle/pretensioner

### Front Seats

The driver and passenger seats, although almost identical, have some unique components fitted. The driver's seat has a seat track position sensor and the passenger's seat has a weight sensing system. In both instances the components form an integral part of the occupant restraint system. For additional information, refer to <<501-20b>>.

The high option front seat has the following standard features:

- electrically adjustable seat positioning
- electrically adjustable lumbar support (optional to highline seats only)
- heated seat (optional)

The basic option front seat has the following standard features:

- electrically adjustable seat height positioning (driver seat only)
- heated seat (optional)

## Heated Seats

The heated seat system comprises:

- heated seat module
- heated seat switches
- backrest heater element
- cushion heater element and thermostat

The heated seat function permits the electrical heating of the seat back and cushion on the driver and front passenger seats. The heating system of each seat is selected by separate switches located at the top of the center console.

Pressing the appropriate switch activates the first stage of a three stage operation of the heated seat function:

- one press of the switch activates the high setting (providing a seat surface temperature of approximately 42°C).
- a second press of the switch activates the low setting (providing a seat surface temperature of approximately 37°C).
- a third press of the switch deactivates the heating function.

Once the heated seat function has been activated, it will persist until one of the following conditions have been satisfied:

- a fixed period of time has expired (10 minutes)
- if the engine is not running
- the function is deactivated by pressing the switch for a third time
- a malfunction is detected by the heated seat module

Confirmation that the heated seat function is active is indicated by the illumination of the relevant switch, a yellow light indicates the low temperature setting and a red light indicates the high temperature setting.

## Heated Seat Module

The heated seat module is located under the front edge of the seat. The module controls the seat heating function by providing the appropriate response depending on the status of the heated seat switches.

## Power Lumbar

The power lumbar is a self-contained unit controlled directly by the seat mounted power lumbar switch.

## Rear seats

Depending on the market specification the rear seats will be one of the following:

- fixed bench style
- folding seatback split seat style (70/30)

## Folding Seatbacks

The rear seatbacks can be folded forward to provide additional luggage space if required. Release handles for each seat back are located in the luggage compartment under the parcel shelf.

## Head Restraints

The rear head restraints can only be set to one of the two available heights.



**Ski Hatch (if equipped)**

Skis or similar objects can be stowed in the vehicle by utilizing the two door hatch fitted to the rear seat. The inner door is accessible after folding down the armrest, the second door is accessible from inside the luggage compartment. A sack complete with strap is provided for holding the stored items, the strap connects to the center rear seat belt buckle to secure the sack and contents.